



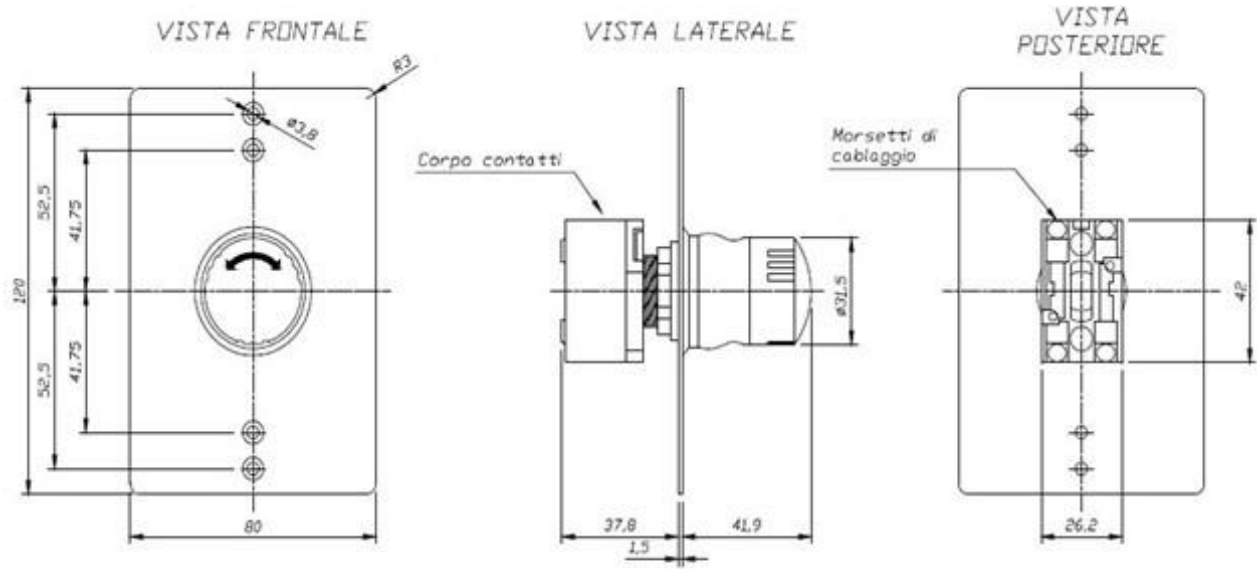
SAFE STOP is a flush mounting mushroom emergency stop switch diam 37mm with rotation release. Thanks to the high IP protection it is suitable for critical environments where sanitization process with water or chemical agents is required. Protected screw connection VBG4.

TECHNICAL CHARACTERISTICS

Front panel	AISI 304 covered by a special adhesive membrane resistant to most commonly used sanitization agents	
Protection degree	IP65 (if correctly mounted and sealed)	
Size	80,0 x 120,0 x 37,8 mm	
Operating temperature	- 30°C ÷ + 70°C	
	Two separate contacts NA + NC	
	<u>AC current</u>	DC current
	Application category: <u>AC 15 A600</u>	DC13 Q600
	Insulation voltage: <u>600V</u>	600V
Electrical features	Working voltage: <u>250V (5A)</u>	400V (0,12A), 250V (0,2A)
	Working current: <u>400V (3A)</u>	125V (0,4A), 60V (1A), 24V (2A)
	Continuous thermal current: <u>10A</u>	10A



DIMENSIONS



CONNECTION



- 11 - Common
- 12 - Common / NC
- 23 - Common
- 24 - Common / NO

	<p>COMPLIANT TO THE FOLLOWING DIRECTIVES</p> <p><i>Conforme alle seguenti direttive Europee</i></p>
	<p>Germany Canada Netherlands KEMA ENEC CE GL UL </p>

0400200027_rev1.2_EN