



BLUE BUTTON is a flush mounting door unlock push button with single C-NO-NC contact specifically designed for clean environments.

The button is fixed on a steel front panel covered with a blue adhesive membrane resistant to the mostly used sanitization agents.

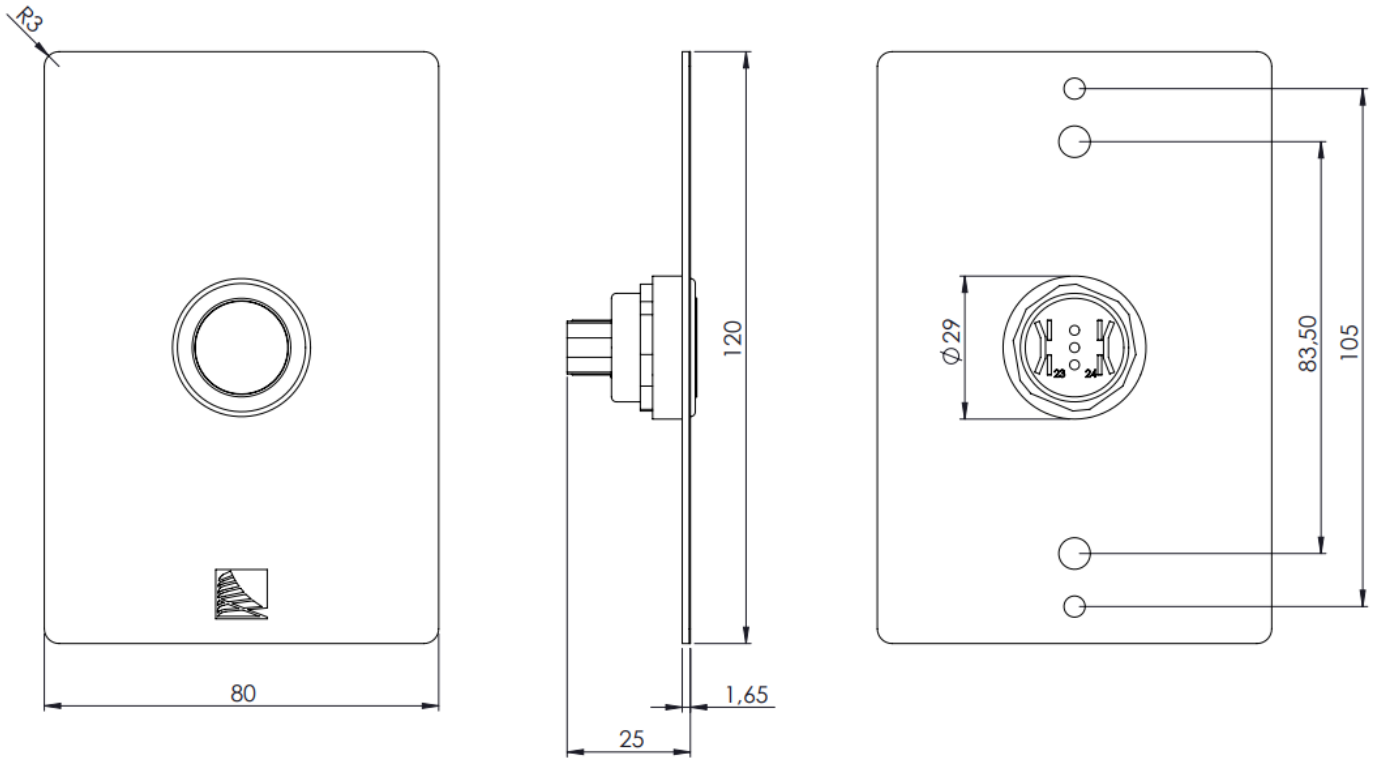
TECHNICAL CHARACTERISTICS



Mechanical features	Painted steel or INOX frontal panel AISI 304 covered by a special adhesive cover	
Protection degree	IP54 if correctly mounted and sealed	
Size	Frontal panel:	80,0 x 120,0 x 1,5 mm
	Device:	80,0 x 120,0 x 25,0 mm
Contacts	voltage-free contact; faston connection	
Mechanical life	1 million operations	
Actuator stroke	3mm	



DIMENSION



CONNECTION

